



GSC30 SERIES

MINICRAWLER CRANE



MAX **6,500 lbs @ 4' 3"** Rated Capacity

27' 1" @ 330 lbs Max. working radius

KG **5,290 lbs** Vehicle Weight

9' 6" × 31.5" × 5' 7" Dimensions(LxWxH)

GSC30 SERIES

Load Moment Indicator

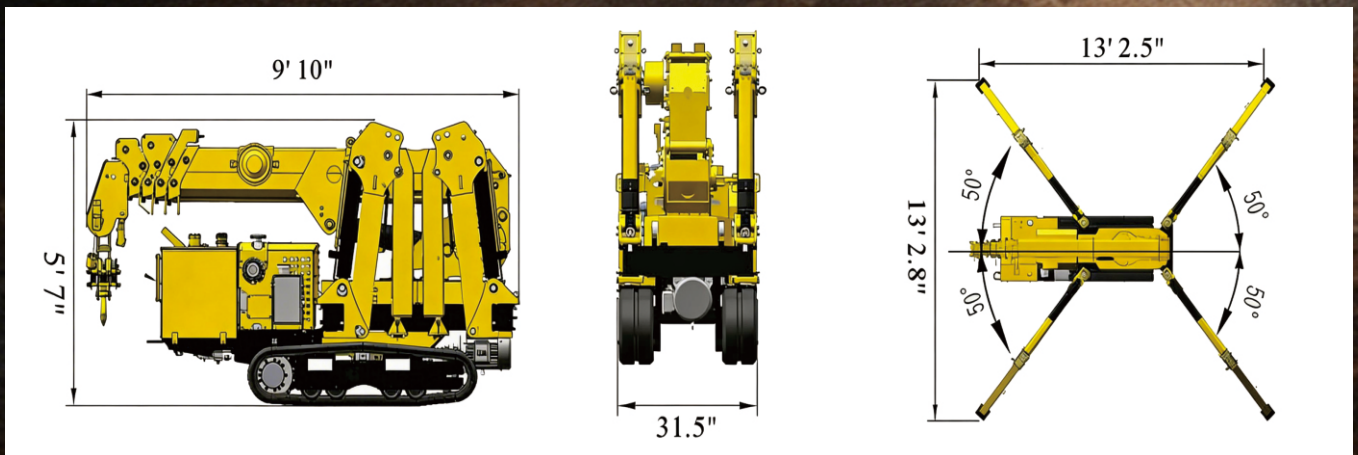
Anti-tipping Alarm

Anti-Two-Block

Real-time Dashboard



KEY SPECIFICATIONS



FEATURES

✓ Compact and Lightweight Body

Compact 31.5" (800mm) width: Fits easily through doors and into elevators.

🚧 3-Mode Safety Interlock (Travel / Outrigger / Boom)

Prevents tipping or mechanical damage caused by misoperation.

🛡️ Automatic Leveling System

Instant setup for any job site.

📡 Wireless Proportional Control

Precision control for travel, outriggers, and boom operations.

⚙️ Equipped with Danfoss Proportional Valves

Ultra-smooth, pinpoint control for all functions.



GSC30 SERIES



2' 0" SEARCHER HOOK
MAX LIFTING WEIGHT 1,100 lbs



8' 2" HYDRAULIC JIB
MAX LIFTING WEIGHT 1,100 lbs

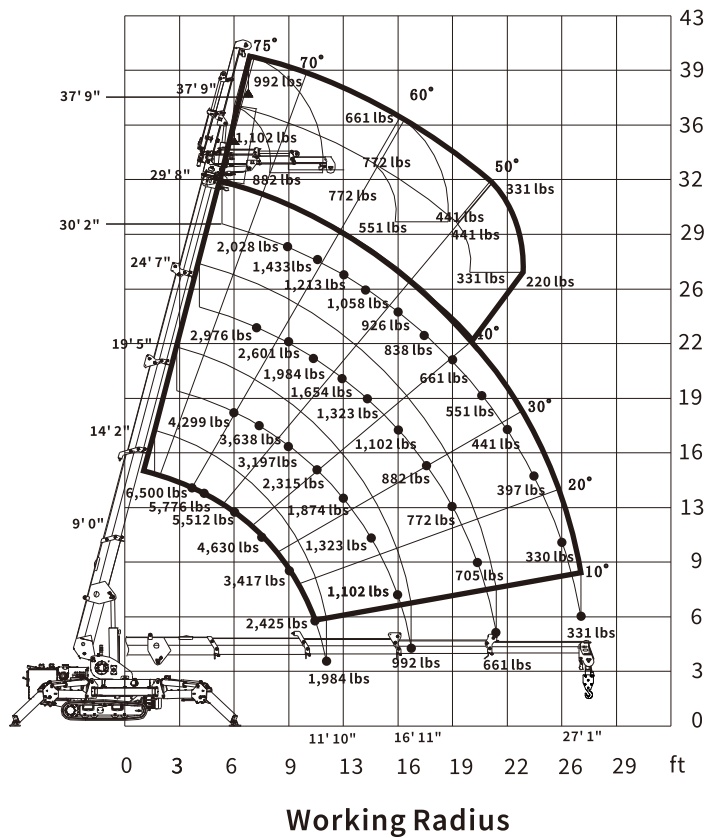


4' 7" FLY JIB
MAX LIFTING WEIGHT 1,100 lbs



WORK PLATFORM
MAX LOAD 220 lbs

Load Chart



GLASS MANIPULATOR



GSC30 SERIES

Technical Specifications

Model		GSC30D	GSC30G	GSC30E
DUAL POWER		DIESEL	GASOLINE	LITHIUM BATTERY
		AC ELECTRIC	AC ELECTRIC	AC ELECTRIC
Model		3TNV74 (YANMAR)	HONDA Gx390	DC Motor
Starting method		Electric Start		DC Motor (with battery pack)
Maximum Output		15.0 HP	8.9 HP	8.0 HP / 3,000 RPM
Fuel / Battery Capacity		3.7 gal	1.6 gal	48 V
Electric Motor	Voltage	110V AC, 60Hz, 1-Phase		
	Power/Speed	3 HP / 1700 RPM		
Crane Capacity		6,500 lbs @ 4' 3"		
Max.Working Radius		27' 1"		
Max.Lifting Height (On ground)		30' 2"		
Winch System	Winch	Dual-speed Hydraulic Motor		
	Hook Speed	Low Speed 17.4 FPM; High Speed 33.5 FPM		Low Speed 8.2 FPM; High Speed 14.8 FPM
Wire Rope		5/16" x 361' (Max)		
Telescopic System	Boom Type	U type automatic 5 section		
	Boom Length	9' 0" – 29' 8"		
	Telescopic Length / Speed	Approx. 25sec(fully extended)		Approx. 20sec(fully extended)
Boom Lift Speed	Boom Angle / Speed	0 - 75° / 18sec		
Slewing System	Slewing Angle / Speed	360° Continuous Slewing / 40sec		
Outrigger	Outrigger	Manual operation for the first section, automatic for the 2,3 section		
	Maximum Extended Dimensions	13' 1" x 13' 1"		
Traction system	Travel Method	Hydraulic Motor; High / Low Speed		
	Travel Speed	0 – 1.0 / 0 – 1.8 mph		0 – 0.6 / 0 – 1.0 mph
	Gradability	20°(36.4%)		
	Track Footprint (L x W)	3' 3" x 8"		
Operating System	Remote Control Type / Range	Proportional Wireless / 328 ft		
	Outriggers	Dual-Mode (Wireless & Manual)	Manual Operation	
	Travel		Manual Operation	
	Boom		Dual-Mode (Wireless & Manual)	
Dimension (L x W x H)		9' 10" x 2' 7" x 5' 7"		
Hydraulic Oil Tank Capacity		10.6 gal		
Vehicle Weight		5,290 lbs	5,070 lbs	5,510 lbs
Safety System		Level, LMI, Three Color Lamp, Emergency Button, Anti-Tipping Alarm, 3-Mode Safety Interlock (Travel / Outrigger / Boom), Automatic Leveling, One-Touch Hook Auto-Stow	Level, LMI, Three Color Lamp, Emergency Button, Anti-Tipping Alarm, 3-Mode Safety Interlock (Travel / Outrigger / Boom), One-Touch Hook Auto-Stow	Level, LMI, Three Color Lamp, Emergency Button, Anti-Tipping Alarm, 3-Mode Safety Interlock (Travel / Outrigger / Boom), Automatic Leveling, One-Touch Hook Auto-Stow

📍 5900 Balcones Drive STE 100 Austin TX,
USA 78731

✉️ glt@au-machinery.com

☎️ +1(716)547-1292

🌐 www.gtlifts.com