



# ***GSC10 SERIES***

## **MINICRAWLER CRANE**



**2,205 lbs @ 4.9'** Rated Capacity



**16.6' × 440 lbs** Max. working radius



**2,844 lbs** Vehicle Weight

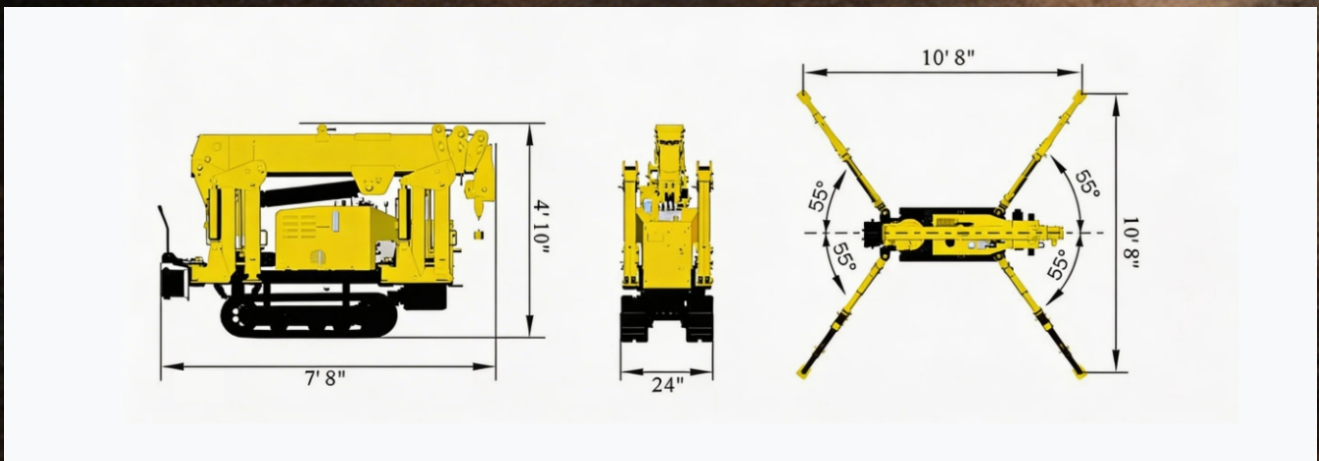


**7' 8" × 24" × 4' 10"** Dimensions(LxWxH)

# ***GSC10 SERIES***

## **MINI CRAWLER CRANE**

### **KEY SPECIFICATIONS**



### **FEATURES**

- ✓ 24" Ultra-Slim Width**  
Designed for standard doorway and elevator access.
- 🏠 Outrigger / Boom Interlock System**  
Precision control for outriggers and boom operations.
- 🛡️ Over-winding Alarm System**  
Prevents the hook from colliding with the boom tip.
- 🚗 Two-Speed Hydraulic Travel System**  
High speed for efficient site transit; Low speed for precise positioning.



# GSC10 SERIES



Honda® Gas Engine



Lifting Points



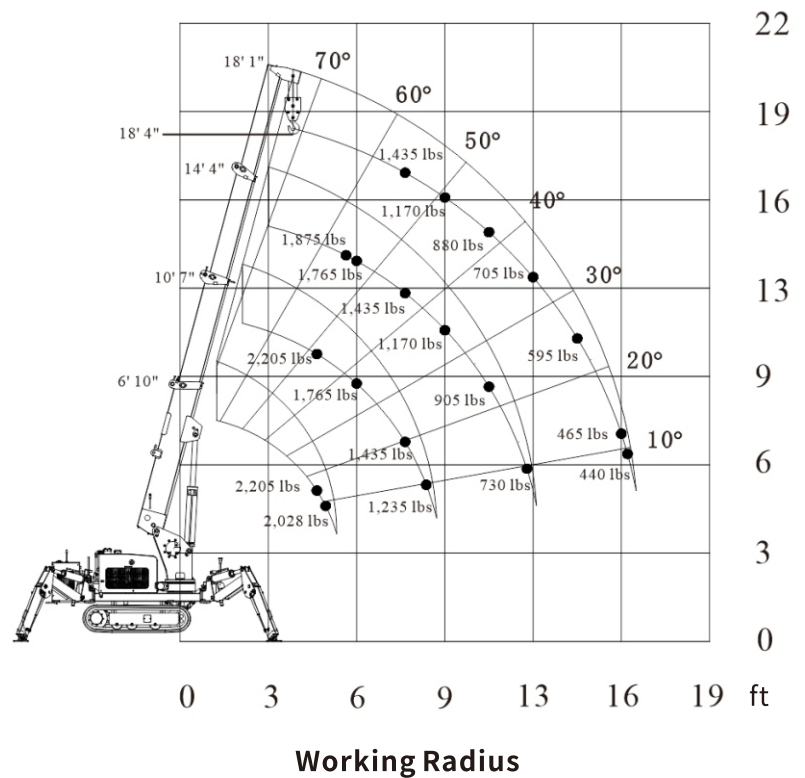
Outrigger Pad



Travel Available by  
Forklift Truck

## STANDARD FEATURES

## Load Chart



GLASS MANIPULATOR (OPTIONAL EQUIPMENT)



# GSC10 SERIES

## Technical Specifications

### GSC10 Spider Crane

<b>Crane Capacity</b>		<b>2,205 lbs @ 4.9'</b>
<b>Max.Working Radius</b>		<b>16.6' × 440 lbs</b>
<b>Max. Lifting Height (On ground)</b>		<b>18.4'</b>
<b>Max.Lifting Height (Underground )</b>		<b>59'</b>
Winch System	Hook Speed	32.8 ft/min (2-part line)
	Wire Rope	5/16" × 157'
Telescopic System	Boom Type	Full automatic 4 section
	Boom Length	6' 10" – 18' 1"
Boom Lift Speed	Boom Angle / Speed	0 °~75 °/14sec
<b>Slewing System</b>	<b>Slewing Angle / Speed</b>	<b>0 ° ~360 ° (Continuous) / 40sec</b>
Outrigger	Outrigger Active Form	Automatic for the 1 section, manual adjustment for 2,3 section
	Maximum Extended Dimensions	10' 8" × 10' 8"
Traction System	Travel Method	Hydraulic motor
	Travel Speed	0 – 1.6 mph
	Gradability	20 °
	Track Footprint (L×W)	3' 2" × 7"
	Track Ground Pressure	5.16 psi
Diesel Engine	Model	(HONDA) GX270
	Displacement	270 ml
	Maximum Output	6.8 HP / 3600 RPM
	Starting Method	Electric starting
	Fuel/Tank Capacity	Gasoline / 1.6 gal
System Voltage	DC12 V	
<b>Dimension</b>	<b>L × W × H</b>	<b>7' 8" × 24" × 4' 10"</b>
Weight	Vehicle Weight	2,844 lbs
Safety System	Outrigger Automatic Detection Alarm, Level, Emergency Stop Button	

📍 5900 Balcones Drive STE 100 Austin TX,  
USA 78731

✉️ [glt@au-machinery.com](mailto:glt@au-machinery.com)

☎️ +1(716)547-1292

🌐 [www.gltlifts.com](http://www.gltlifts.com)