

# GSC80-U

## THE TRUE ALL-TERRAIN MULTI-TOOL

The Ultimate Multi-Tool for Modern Construction.



**17,600 lbs**  
Crane Capacity



**69' @ 1,320 lbs**  
Max. Working Radius



**70' 6"**  
Max. Lifting Height



**18,300 lbs**  
Vehicle Weight



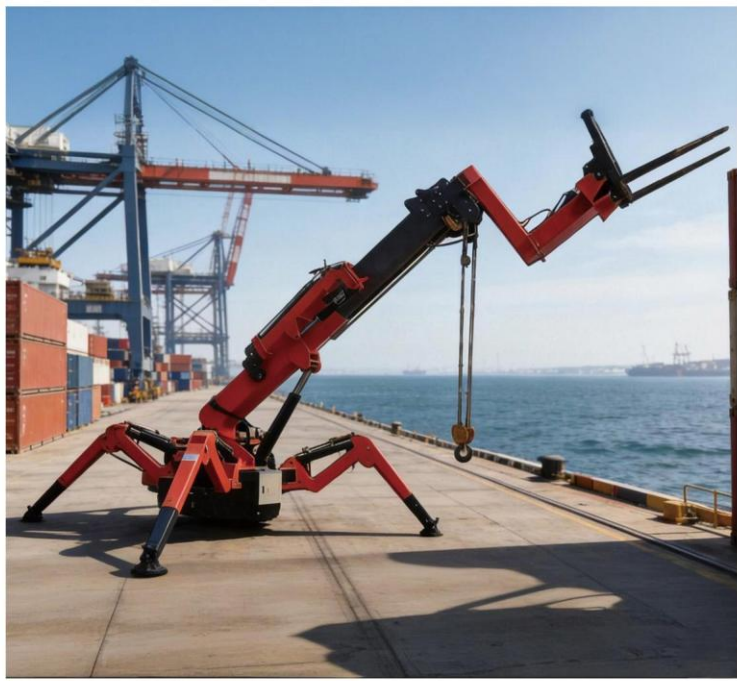
**Rugged**



**Field-Proven**



**Multi-Purpose**



### Forklift Head

Quickly transforms into an all-terrain forklift, **built for** heavy pallets and bulk material handling.



### Glass Manipulator

**Precision** glass curtain wall installation with stable, secure vacuum suction technology.

**A True  
All-terrain Multitool  
GSC80-U**

### Grapple/Claw

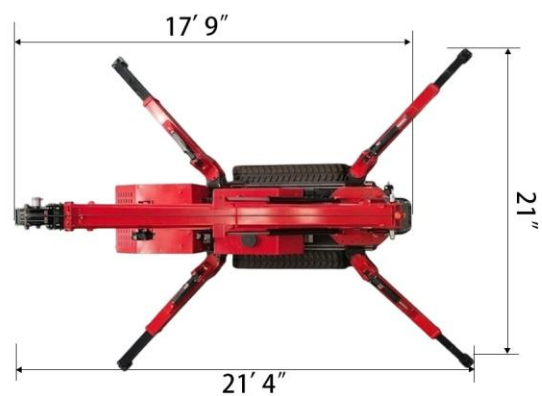
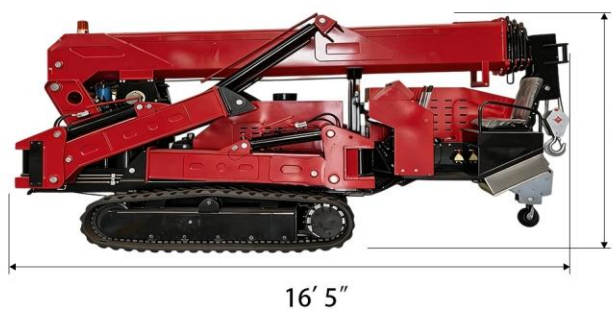
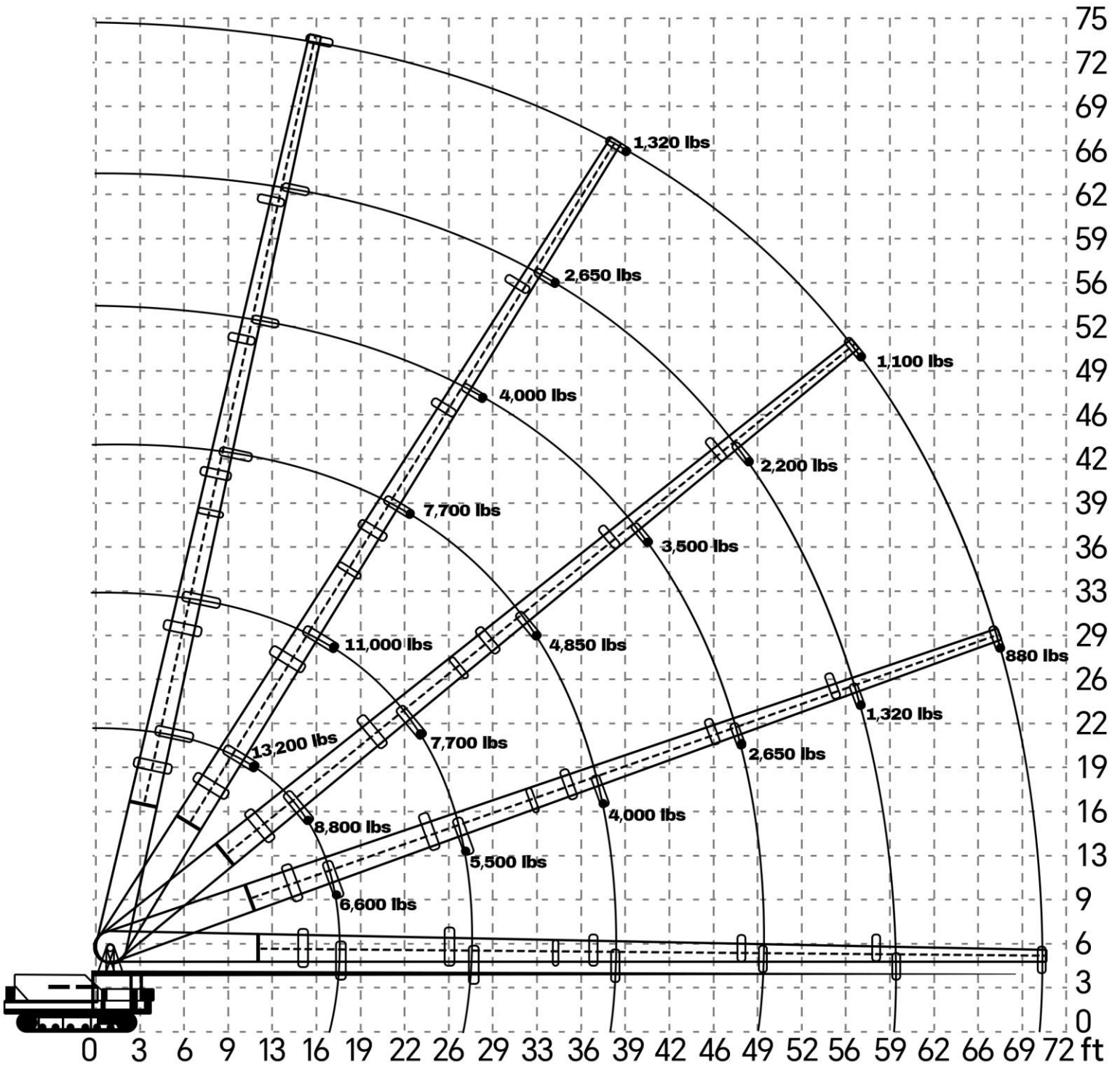
**Heavy-duty** gripping power, **engineered** for irregular scrap and pipe handling.

### Work Basket

Stable aerial work platform:  
**Direct access** to your core work zone.



# RATED LIFTING CAPACITIES & WORKING



# WHY CHOOSE GLT?

**INTEGRATED SMART LMI:  
REAL-TIME STABILITY MONITORING THAT  
ACTIVELY PREVENTS TIPPING.**



**3-MODE SAFETY INTERLOCK (TRAVEL / OUTRIGGER / BOOM)**

Prevents tipping or mechanical damage caused by misoperation.

**360° CONTINUOUS ROTATION**

Infinite maneuverability in confined spaces.

## VALUE

Manufacturer Direct Pricing  
1-Year Comprehensive Warranty  
24/7 Support



**REAL POWER. NO COMPROMISE.**

# TECHNICAL SPECIFICATIONS

## GSC80-U MINI CRAWLER CRANE

<b>DUAL POWER</b>	<b>DIESEL</b>
	<b>AC ELECTRIC</b>
<b>Diesel Engine</b>	<b>Model: 4TNV98C-DM (YANMAR) EPA</b>
	Starting Method: Electric Start
	Maximum Output: 72 HP / 2,600 RPM
	Fuel / Tank Capacity: Diesel / 10.6 gal
	Displacement: 3.319 L
	Starting Operating: -5°C~40°C
<b>Crane Capacity</b>	<b>17,600 lbs</b>
<b>Max.Working Radius</b>	<b>69' @ 1,320 lbs</b>
<b>Max.Lifting Height (On ground)</b>	<b>70' 6"</b>
<b>Max.Lifting Height (Un ground)</b>	<b>276'</b>
<b>Winch System</b>	<b>Hook Speed: [ Low Speed: 21.3 FPM; High Speed: 39.4 FPM (4-part line) ]</b>
	<b>Wire Rope: 1/2" x 262' (max)</b>
<b>Telescopic System</b>	<b>Boom Type: U type automatic 6 section</b>
	<b>Boom Length: 15'~69'</b>
	<b>Telescopic Length / Speed: Approx. 26 sec (fully extended)</b>
<b>Boom Lift Speed</b>	<b>Boom Angle / Speed: 0~75° / 42 sec</b>
<b>Slewing System</b>	<b>Slewing Angle / Speed: 360° Continuous Slewing / 35 sec</b>
<b>Outrigger</b>	<b>Outrigger: Manual adjustment for the 1,2 section,automatic for the 3 section</b>
	<b>Maximum Extended Dimensions: 21' 4" (F) x 21' 0" (S) x 17' 9" (R)</b>
<b>Traction System</b>	<b>Travel Method: Hydraulic motor</b>
	<b>Travel Speed: (Low Speed: 0-0.5 mph / High Speed: 0-1.2 mph)</b>
	<b>Gradeability: 20°</b>
	<b>Track Footprint(L x w): 101" x 14"</b>
<b>Operating System</b>	<b>Remote Control Type / Rang: Wireless / 328 ft</b>
	<b>Outriggers: Manual Operation</b>
	<b>Travel: Dual-Mode (Wireless &amp; Manual)</b>
	<b>Boom: Dual-Mode (Wireless &amp; Manual)</b>
<b>Electric Motor</b>	<b>Voltage: Configurable to Local Standards (110V~480V)</b>
	<b>Power / Speed: 20 HP / 970 RPM</b>
<b>Dimension</b>	<b>L x W x H: 16'5" x 5'3" x 7'3"</b>
<b>Hydraulic Oil Tank Capacity</b>	<b>34.3 gal</b>
<b>Vehicle Weight</b>	<b>18,300 lbs</b>
<b>Safety System</b>	<b>Level,Three Color Lamp,Emergency Stop Button,3-Mode Safety Interlock (Travel / Outrigger / Boom)</b>