


# GSC10-U


## ONE MACHINE, INFINITE SOLUTIONS

The Ultimate Multi-Tool for Modern Construction.



  
**2,200 lbs**  
Crane Capacity

  
**17' 1" @ 397 lbs**  
Max. Working Radius

  
**18' 8"**  
Max. Lifting Height

  
**2,646 lbs**  
Vehicle Weight



**Rugged**

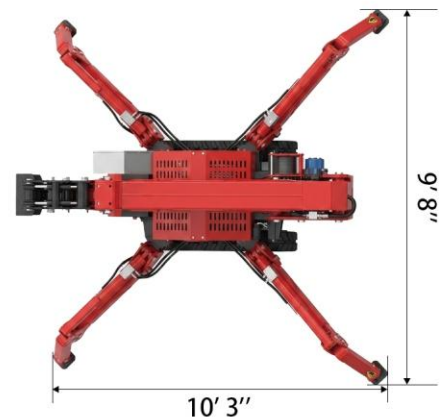
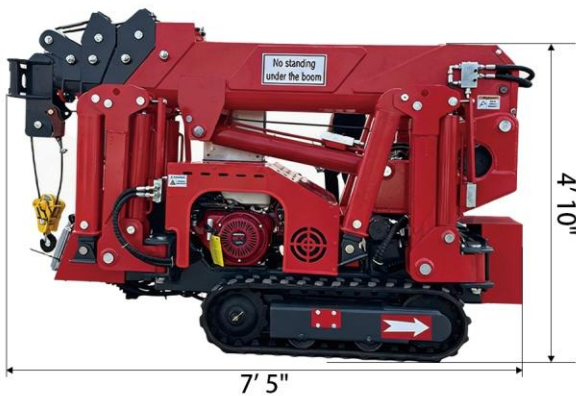
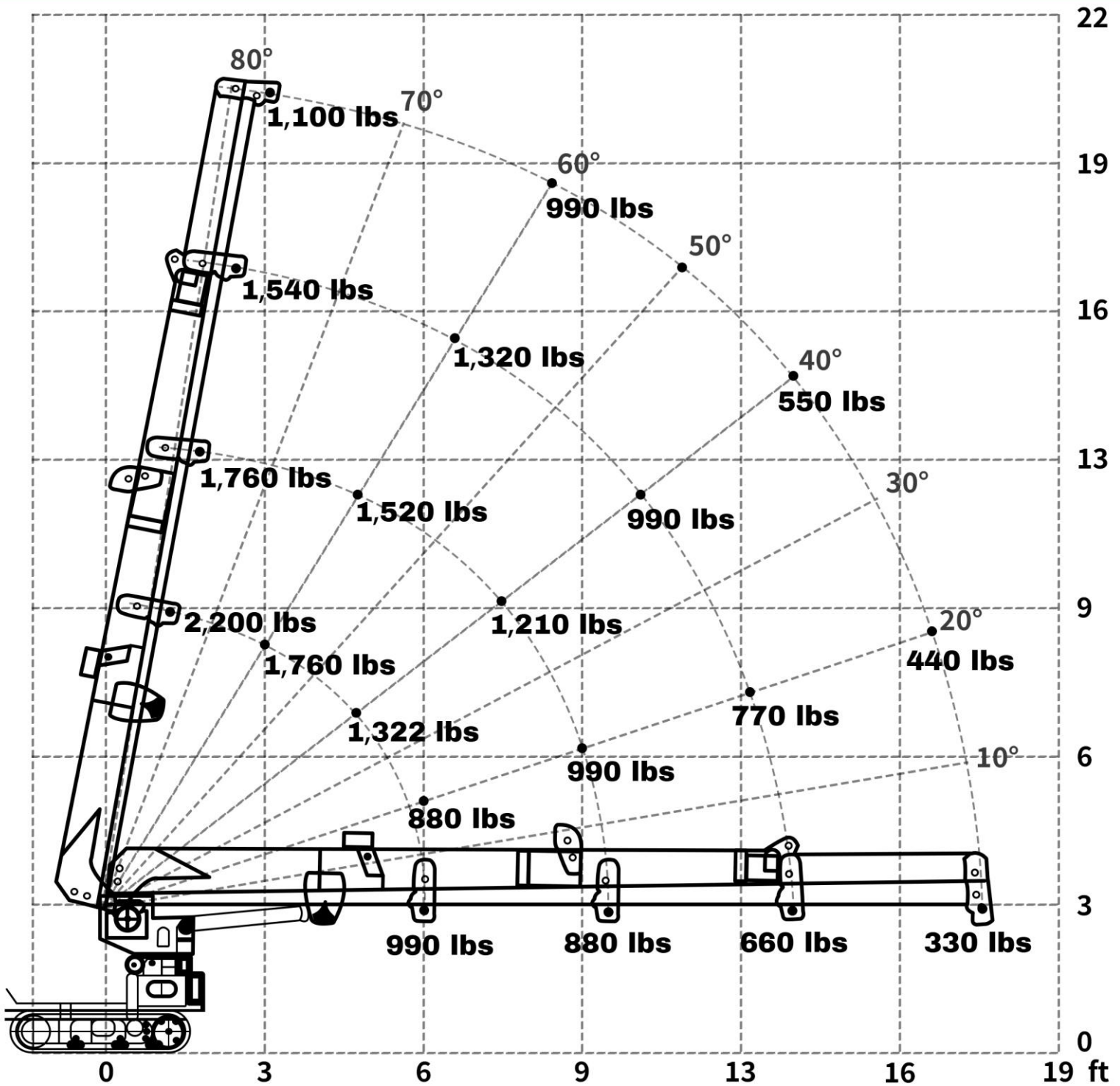


**Fidd-Proven**



**Multi-Purpose**

# RATED LIFTING CAPACITIES & WORKING



## Glass Manipulator

Precision glass curtain wall installation with stable, secure vacuum suction technology.



A True  
All-terrain Multitool  
GSC10-U



Stable aerial work platform: Direct access to your core work zone.

Work Basket

# WHY CHOOSE GLT?

**INTEGRATED SMART LMI:  
REAL-TIME STABILITY MONITORING THAT  
ACTIVELY PREVENTS TIPPING.**



**3-MODE SAFETY INTERLOCK (TRAVEL / OUTRIGGER / BOOM)**

Prevents tipping or mechanical damage caused by misoperation.

**360° CONTINUOUS ROTATION**

Infinite maneuverability in confined spaces.

## VALUE

Manufacturer Direct Pricing  
1-Year Comprehensive Warranty  
24/7 Support



**REAL POWER. NO COMPROMISE.**

# TECHNICAL SPECIFICATIONS

## GSC80-U MINI CRAWLER CRANE

<b>DUAL POWER</b>	<b>GASOLINE</b>
	<b>AC ELECTRIC</b>
<b>Diesel Engine</b>	<b>Model:CH4409.6 EPA</b>
	Starting Method: Electric Start
	Maximum Output: 12.2 HP @ 3600 RPM
	Fuel / Tank Capacity: Gasoline / 1.8 gal
	Displacement: 0.429 L
	Starting Operating: -15°C~40°C
<b>Crane Capacity</b>	<b>2,200 lbs</b>
<b>Max.Working Radius</b>	<b>17' 1" @ 397 lbs</b>
<b>Max.Lifting Height (On ground)</b>	<b>18' 8"</b>
<b>Max.Lifting Height (Un ground)</b>	<b>65' 7"</b>
<b>Winch System</b>	Hook Speed:7.5 FPM (2-part line)
	Wire Rope: 5/16" x 65' 7" (max)
<b>Telescopic System</b>	Boom Type: (U type automatic 4 section, 2nd Section: Single Extension)
	Boom Length: 6' 11" - 18' 1"
	Telescopic Length / Speed: Approx. 15 sec (fully extended)
<b>Boom Lift Speed</b>	Boom Angle / Speed: 0~70° / 19 sec
<b>Slewing System</b>	<b>Slewing Angle / Speed: 360° Continuous Slewing / 60 sec</b>
<b>Outrigger</b>	Outrigger: Manual Swing-out, Automatic Outriggers
	Maximum Extended Dimensions: 10' 3" x 9' 8"
<b>Traction System</b>	Travel Method: Hydraulic motor
	Travel Speed: 0 - 0.19 mph
	<b>Gradeability: 20°</b>
	Track Footprint(L x w): 3' 3" x 7"
<b>Operating System</b>	Remote Control Type / Rang: Wireless / 328 ft
	Outriggers: Manual Operation
	Travel: Dual-Mode (Wireless & Manual)
	Boom: Dual-Mode (Wireless & Manual)
<b>Electric Motor</b>	<b>Voltage: Configurable to Local Standards (110V~480V)</b>
<b>Dimension</b>	<b>L x W x H: 7' 5" x 23.6" x 4' 10"</b>
<b>Hydraulic Oil Tank Capacity</b>	<b>5.3 gal</b>
<b>Vehicle Weight</b>	<b>2,646 lbs</b>
<b>Safety System</b>	Level,Three Color Lamp,Emergency Stop Button,3-Mode Safety Interlock (Travel / Outrigger / Boom)