



GTB60 TOWABLE BOOM LIFTS

Articulating Boom with A Telescopic



65' 7"
Max Working
Height



39' 4"
Max Horizontal
Outreach

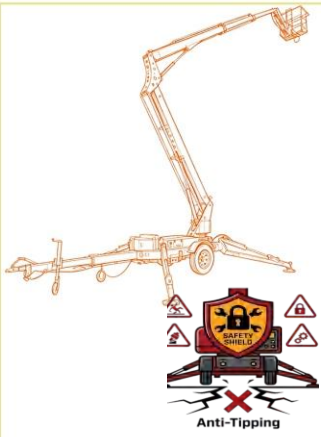


5,732 lbs
Vehicle Weight



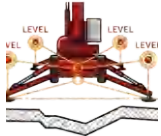
18' 1" x 5' 7" x 7' 3"
Dimension
(LxWxH)

Feature



Advanced Safety:

Anti-tipping, outrigger interlocks, and overload alarms prevent rollover accidents.



Auto-Leveling:

One-touch automatic outrigger leveling maximizes jobsite setup efficiency.



Easy Towing :

Effortlessly towed by a pickup or SUV, saving you professional hauling costs and time.



Compact & Access:

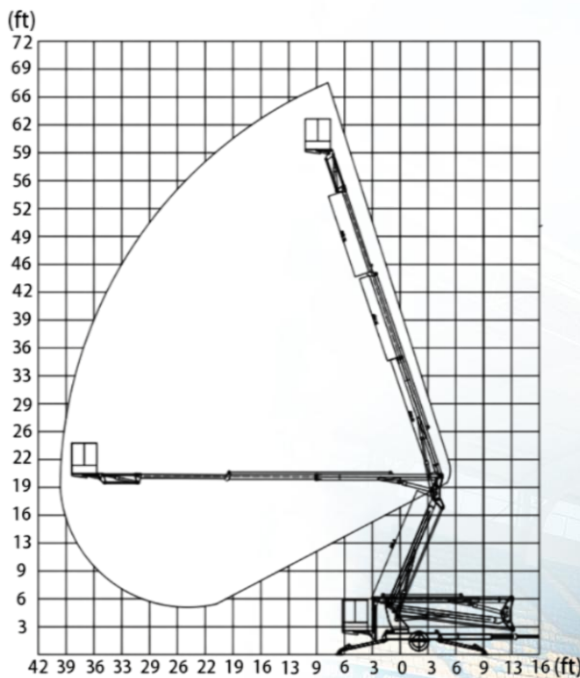
Ultra-narrow stowed width fits through standard doors and tight aisles.



Dual-Power Options:

Flexible power configurations including Gasoline, Diesel, AC, and Battery.

Working Range Diagram



ARTICULATION

Articulating boom with a telescopic:

Excellent up-and-over clearance for navigating obstacles

Articulating Lower Boom:

Uses heavy-duty linkages to provide exceptional **up-and-over** clearance, easily bypassing fences, guardrails, and landscaping.

Telescopic Upper Boom:

Extends linearly for precise **horizontal outreach** and smooth, direct positioning to the target work area.



GTB60 Trailer-Mounted Boom Lift Technical Specifications

Technical Data

Technical Parameter

Max Working Height	65' 7"
Max Platform Height	59' 1"
Max Horizontal Outreach	39' 4"
Rotation Angle	359° Non-continuous
Platform Dimensions	35.4" x 27.6" x 43.3"
Max Platform Capacity	440 lbs

Dimension(L x W x H)	18' 1" x 5' 7" x 7' 3"
Overall Outrigger Footprint	21' 4" x 22' 4"
Max Towing Speed	68 mph
Weight	7,275 lbs

Power Options

Engine (diesel)	Kubota Diesel Engine
Engine (gasoline)	B&S Gasoline Engine
Electric Motor	110V / 220V AC
Battery	Lead-Acid /Lithium-ion
Manual Emergency Pump	Manual Operation

Safety Devices

- **Automatic Leveling Control**
- **Sensor of Outrigger**
- **Alarm Device**
- **Emergency Stop Button**
- **Travel / Outrigger /Boom Three-Way Interlock System**

Optional Devices

- **360°Continuous Rotation**
- **160°Platform Rotation Angle**
- **Assist Drive System**
- **Dual-Power**