



GTB40

TOWABLE BOOM LIFTS



45' 11" Max Working Height



21' 4" Max Horizontal Outreach



4,190 lbs Vehicle Weight



20.3' x 5.6' x 7.2' Dimension(LxWxH)



Feature

1. Easy Towing:

Effortlessly towed by a pickup or SUV, saving you professional hauling costs and time.

2. Compact & Access:

Ultra-narrow stowed width fits through standard doors and tight aisles.

3. Intuitive Controls:

Simple, precise control system for effortless and accurate platform positioning.

4. Transport Lock:

Secures the boom and basket to eliminate sway during transit.

5. Advanced Safety:

Anti-tipping, outrigger interlocks, and overload alarms prevent rollover accidents.

6. Auto-Leveling:

One-touch automatic outrigger leveling maximizes jobsite setup efficiency.

7. Dual-Power Options:

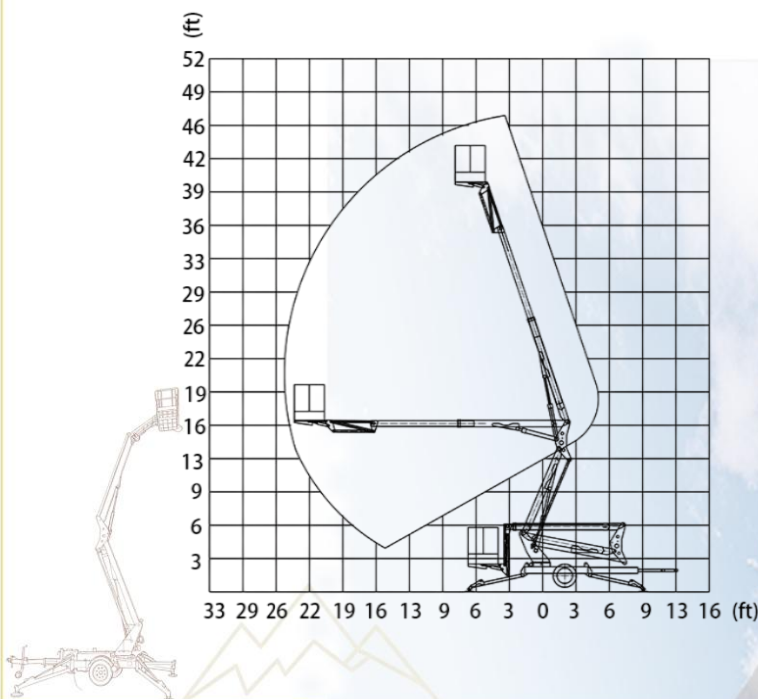
Flexible power configurations including Gasoline, Diesel, AC, and Battery.

8. Easy Basket Adjust:

Dedicated leveling switch makes platform alignment fast and effortless.



Working Range Diagram



GTB40 Trailer-Mounted Boom Lift

Technical Specifications

Technical Data Technical Parameter

Max Working Height	45' 11"
Max Platform Height	39' 4"
Max Horizontal Outreach	21' 4"
Rotation Angle	359° Non-continuous
Platform Dimensions	35.4" x 27.6" x 43.3"
Max Platform Capacity	440 lbs

Dimension(L x W x H)	20.3'x5.6'x7.2'
Overall Outrigger Footprint	13' 9" x 14' 9"
Max Towing Speed	68 mph
Weight	4,190lbs

Power Options

Engine (diesel)	Kubota Diesel Engine
Engine (gasoline)	B&S Gasoline Engine
Electric Motor	110V / 220V AC
Battery	Lead-Acid /Lithium-ion
Manual Emergency Pump	Manual Operation

Safety Devices

- **Automatic Leveling Control**
- **Sensor of Outrigger**
- **Alarm Device**
- **Emergency Stop Button**
- **Travel / Outrigger / Boom Three-Way Interlock System**

Optional Devices

- **360°Continuous Rotation**
- **160°Platform Rotation Angle**
- **Assist Drive System**
- **Dual-Power**

