



GTB33

TOWABLE BOOM LIFTS



39' 4" Max Working Height



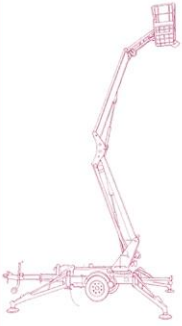
19' 0" Max Horizontal Outreach



4,190 lbs Vehicle Weight



20' 8" x 5' 7" x 6' 11" Dimension (L x W x H)



Feature

1. Easy Towing:

Effortlessly towed by a pickup or SUV, eliminating heavy hauling costs.

2. Compact & Access:

Ultra-narrow stowed width fits through 32-inch doors and tight aisles.

3. Intuitive Controls:

Simple, precise control system for effortless platform positioning.

4. Advanced Safety:

Outrigger interlocks, anti-tipping, and overload alarms prevent rollovers.

5. Auto-Leveling Outriggers:

One-touch automatic leveling maximizes jobsite efficiency.

6. Dual-Power Options:

Flexible configurations including Gasoline, Diesel, AC, and Battery.

7. Basket Leveling Switch:

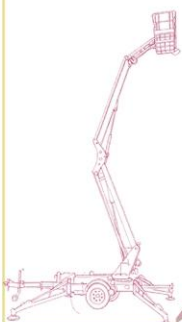
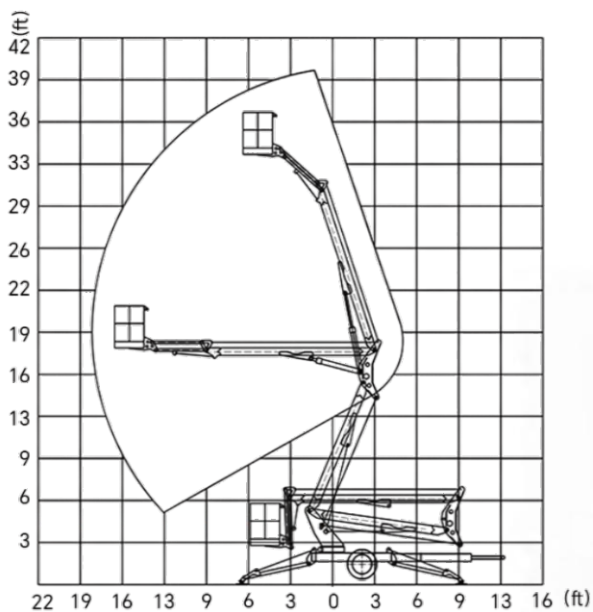
Quick-adjust switch for easy and precise platform alignment.

8. Transport Lock System:

Secures the boom and basket to eliminate sway during transit.



Working Range Diagram



GTB33 Trailer-Mounted Boom Lift Technical Specifications

Technical Data

Max Working Height	39' 4"
Max Platform Height	32' 10"
Max Horizontal Outreach	19' 0"
Rotation Angle	359° Non-continuous
Platform Dimensions	35.4" x 27.6" x 43.3"
Max Platform Capacity	440 lbs

Technical Parameter

Dimension(L x W x H)	20' 8" x 5' 7" x 6' 11"
Overall Outrigger Footprint	13' 9" x 14' 9"
Max Towing Speed	68 mph
Weight	4,189 lbs

Power Options

Engine (diesel)	Kubota Diesel Engine
Engine (gasoline)	B&S Gasoline Engine
Electric Motor	110V / 220V AC
Battery	Lead-Acid /Lithium-ion
Manual Emergency Pump	Manual Operation

Safety Devices

- Automatic Leveling Control
- Sensor of Outrigger
- Alarm Device
- Emergency Stop Button
- Travel / Outrigger /Boom Three-Way Interlock System

Optional Devices

- 360°Continuous Rotation
- 160°Platform Rotation Angle
- Assist Drive System
- Dual-Power